

SONY.

Car Stereo Service Bulletin

CSA-14

Sony Service Company - Technical Services
A Division of Sony Electronics Inc.
Sony Drive, Park Ridge, New Jersey 07656

Model: CDX-5060/5260/5460/U6260

No. 317

Subject: Buzz And/Or Clicks In Audio When Hand-Held Cellular Phone Is Used.

Date: March 26, 1994

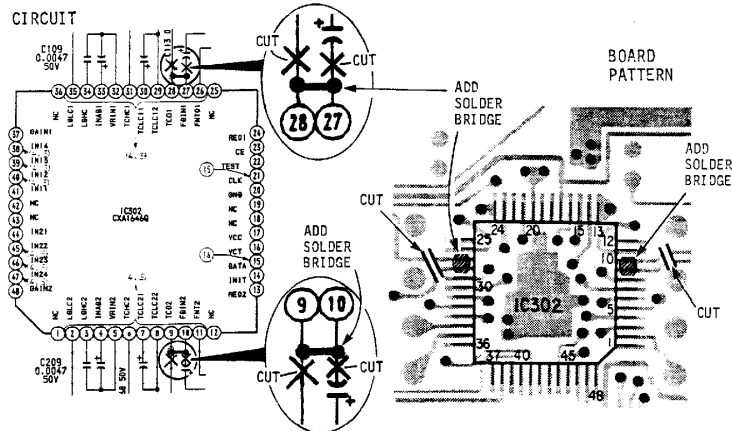
Symptom:
(54)

In some units, the customer may hear a buzz and/or clicks in the audio when the customer is using a hand-held cellular phone.

Solution: If the customer complains of this problem, implement the circuit changes shown below.

- 1- Cut the traces coming from IC302 pins 9 & 10, and pins 27 & 28.
- 2- Add a solder bridge between IC302 pins 9 & 10.
- 3- Add a solder bridge between IC302 pins 27 & 28.

In some instances, the customer may still hear the buzz and/or clicks if the antenna of the cellular phone is placed very close to the front of the unit (1 to 2 inches). However, this would not be considered normal use of the cellular phone and should not be considered a problem.



Reference: Tokyo FAX QM-JAN2-002
Autoflagged - NO



PRINTED IN USA
CSA-14394-6

PRINTED ON RECYCLED PAPER